

Certification

The LFIM is unique and the only product in Europe that provides protection against the specific hazards of Lithium-ion batteries and cells. The certifications on this product consist of:

- EN136: 1998 Full Face Mask
- mod. C2 EU reg. 2016/425 Packaging
- EN143387+A1 - 2008 Gas and particulate filters
- EN168 High speeds particle test
- EN166 Eye and face protection
- CE0161 NoBo EU reg. 305/2011
- The mask body is designed according to European standard (EU) 2016/425 and harmonised standard EN136:1998.
- The mask body and visor are specifically tested and designed in accordance with N168:2001 and EN166:2001.
- The respiratory protection filters with a bayonet closure are tested and designed in accordance with : EN14387:2021 and A1:2008.
- The vacuum seal packaging and storage period are in accordance with regulations Mod. C2 EU reg. 2016/425.
- Independent inspection body NOBO: ATEX Plaza de Emilio Sala 1, 03801, Alicante.



Maintenance

The LFIM is protected packed in a foam packaging and UV protective vacuum packaging in accordance with EN136 mod. C2 EU reg. 2016/425. This means that an annual inspection of the mask is not necessary. The mask is suitable for single use within the shelf life period of 5 years and can be returned after use or when the expiration date expires for revision and update at a reduced rate from a sustainability point of view.

- Storage instruction: Store the LFIM Mask in a dry and dark place. Protect from UV rays and sunlight.
- Storage temperature: -10 °C to 70 °C.
- Use: Single use.
- Expiry date: See vacuum packaging and outside of storage box.

User Instructions

NOTICE

Read the user instructions before use.

⚠ DANGER

Users must not be under the age of 18.

⚠ DANGER

Avoid contact with flames and heat.

⚠ DANGER

Only use the Li-ion Fire Intervention Mask in environments with 19% to 22% oxygen.

⚠ WARNING

Avoid contact with soot from the fire as much as possible.

⚠ WARNING

Do not use the mask for more than 15 minutes.

⚠ CAUTION

Before you use the Li-ion Fire Intervention Mask you should ensure:

- The integrity of the mask and that the visor is present and transparent.
- The two filters are fitted and fixed in position.
- The headbands are present and functional.
- The inhalation valves are present in the inner mask.
- The exhalation valves are present in the inner mask.

⚠ CAUTION

Use the mask only after training in firefighting and the use of the Li-ion Fire Intervention Mask.

⚠ CAUTION

Only use the Li-ion Fire Intervention Mask in open areas, **not** in confined spaces.

⚠ CAUTION

The Li-ion Fire Intervention Mask is suitable for single use, do not use the mask after use or after the expiry date.



User Instructions (Continued)

Putting on the Li-ion Fire Intervention Mask

1. Tear open the vacuum packaging at the seal seam. Remove the mask from the internal foam packaging and hang the mask around the neck with the carrying strap.
2. Then position the mask in front of the face. Insert the chin into the inner mask and press the mask against the forehead. Make sure the mask fits snugly on the face and pull the main pin over the head.



2. E002391

3. Once the mask is properly positioned, symmetrically tighten the bands of the head pin. Starting with straps 1 below your ears, then 2 above your ears and finally 3 on your head



3. E002392

Using the Li-ion Fire Intervention Mask

Once you have put on the Li-ion Fire Intervention Mask you will experience back pressure while breathing because you have to inhale through the filters. Breathe in and out calmly and deeply.

Use the mask for a maximum of 15 minutes during firefighting, intervention or evacuation.

Taking off the Li-ion Fire Intervention Mask

4. After using the LFIM Fire Intervention Mask, proceed to a safe location and take off the mask. Do this by pushing against the buckles of the main pin straps. This causes the straps to release tension. Then pull the LFIM further away from your face and move the mask back over your head.



4. E002393 / E002394

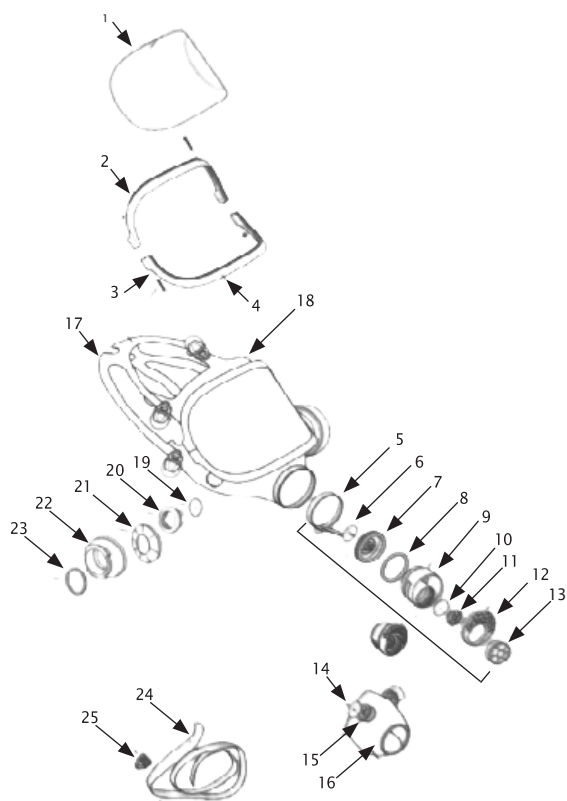
WARNING

After using the Li-Ion Fire Intervention Mask your clothes and body may be contaminated with soot, smoke and chemicals released from the fire. These substances have an adverse effect on your health. Ensure that you:

- Wash yourself well after using the Li-ion Fire Intervention Mask to remove any contamination from your body.
- Change your clothes to avoid contamination with these substances and wash them separately from other laundry.
- Dispose of it in small chemical waste after use.
- Replace the used Li-ion Fire Intervention Mask. Go to www.lfim.eu

CAUTION

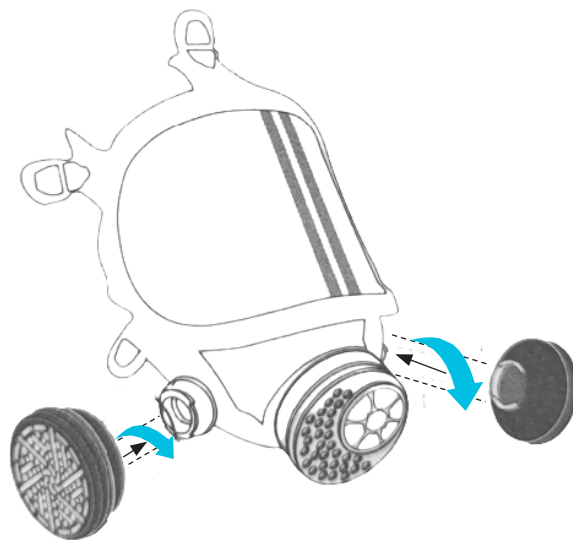
If the Li-ion Fire Intervention Mask has not been used, but the packaging is open or the expiry date is not visible on the packaging, send your LFIM to the LFIM service centre (Go to www.lfim.eu) for inspection at a limited cost. The LFIM service centre shall overhaul, inspect, and repackage your LFIM with new filters. You will receive your LFIM back, suitable for a period of 4.5 to 5 years.



E002400

No.	Description	Pieces
1	Polycarbonate visor	1
2	M4 Nut visor frame	2
3	M4 Screw visor frame	2
4	Visor frame	1
5	Clamping ring	1
6	Exhalation valve	1
7	Pressure nut exhalation valve holder	1
8	Gasket	1
9	Connection housing	1
10	Inhalation valve	1
11	Inhalation valve holder	1
12	Cover cap	1
13	RD-40 cap	1
14	Nose valve inner mask	2
15	Nose valve holder	2
16	Inside mask	1
17	Head strap set	1
18	Mask body	1
19	Inhalation valve	2
20	Locking nut bayonet holder	2
21	Clamping ring bayonet holder	2
22	Bayonet holder	2
23	Sealing ring bayonet N757	2
24	Neck carrying strap	1
25	Buckle neck strap	1

The LFIM Fire Prevention Mask contains 2 filters which are mounted on both sides of the full face mask. The filters must have the same specification and be fitted with a Bayonet fitting suitable for the model M732-S. To check the filters, turn the filters clockwise to make sure that the filters do not leak and remain tight.



E002401

Responsibility, Risk and Guarantee

Use of the Li-ion Fire Intervention Mask is at the sole responsibility and risk of the user or party who has purchased the Li-ion Fire Intervention Mask. If you do not read, follow and execute the instructions, do not follow training, use a Li-ion Fire Intervention Mask for longer than 15 minutes or expose yourself to greater risks than may be expected of a company firstaider, this may lead to health damage for which LFIM, the manufacturer or an LFIM reseller cannot be held responsible.

The warranty on the Li-ion Fire Intervention Mask is a maximum of 12 months from date of purchase.

